

PAGE 253-254

OSAWA
NORM

MEFCS2 - MEFCSH3 - MEFCS4

Ø mm	1-20
tol. D µ	0 / -30



MEFCS2	 UMG ENDLESS 	 UMG ENDLESS 	 UMG ENDLESS
--------	-----------------------------------	-----------------------------------	-----------------------------------

D	d(h6)	l	L	Stock	Stock	Stock
mm 1	4	2.5	40	●		
1.5	4	4	40	●		
2	4	6	40	●		●
2.5	4	8	40	●		●
3	6	8	45	●		●
4	6	11	45	●		●
5	6	13	50	●		●
6	6	13	50	●	●	●
7	8	16	60	●		○
8	8	19	60	●	●	●
9	10	19	70	○		○
10	10	22	70	●	●	●
11	12	22	75	○		○
12	12	26	75	●	●	●
14	16	26	85	●	●	●
16	16	32	100	●	●	●
18	16	32	100	○	○	○
20	20	38	105	○	● (Z4)	●

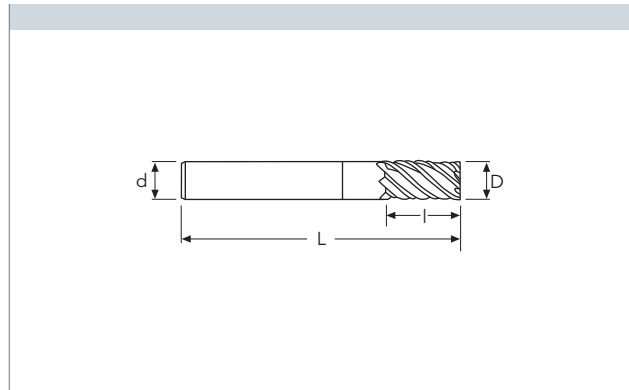
● stock standard ○ non-standard stock EX stock exhaustion


 PAGE 255

**OSAWA
NORM**



MEF600	
Ø mm	6~20
tol. D µ	0 / -30



 Z6-Z8
 UMG
ENDLESS
 **VA**
 50°

D	d(h6)	l	L	Z	Stock
mm 6	6	13	57	6	●
7	8	16	63	6	○
8	8	19	63	6	●
9	10	19	72	6	○
10	10	22	72	6	●
12	12	26	83	6	●
16	16	32	92	6	●
20	20	38	104	8	●

● stock standard ○ non-standard stock EX stock exhaustion

n Vf
 PAGE 255

**OSAWA
NORM**

MEF901 - MEF902 (h10)

Ø mm	~6	7~10	11~18	19~20
tol. R µ	0 / -48	0 / -58	0 / -70	0 / -84



						Z3-Z6	Z4-Z6		
						UMG ENDLESS	UMG ENDLESS		
						VA HR FINE	VA HR FINE		
						45°	45°		
D(h10)	d(h6)	l	l1	L	Z	Stock	Stock		
mm 4	6	11		57	3	●			
5	6	13		57	4	●			
6	6	16		57	4	●			
6	6	16	20	57	4		●		
7	8	16		63	4	○			
8	8	16		63	4	●			
8	8	16	26	63	4		●		
9	10	19		72	4	○			
10	10	22		72	4	●			
10	10	22	31	72	4		●		
12	12	26		83	4	●			
12	12	26	37	83	4		●		
14	14	26		83	5	●			
16	16	32		92	5	●			
16	16	32	51	100	5		●		
20	20	38		104	6	●			
20	20	38	59	110	6		●		

● stock standard ○ non-standard stock EX stock exhaustion